

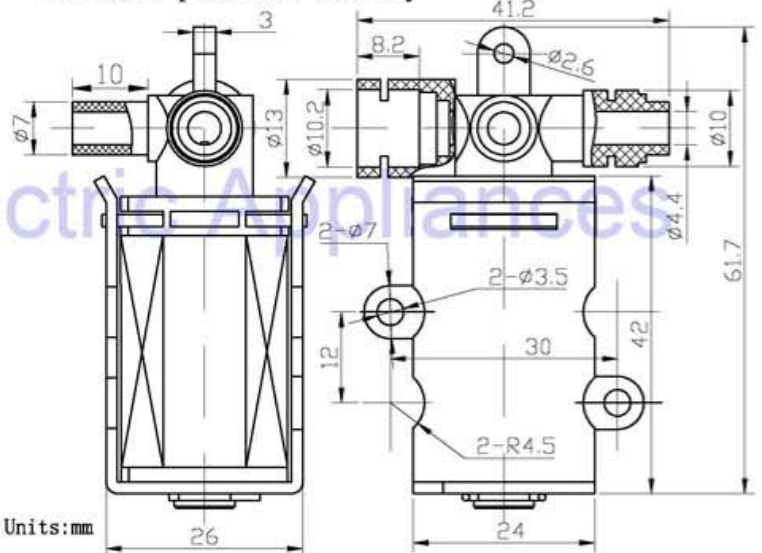
ZHV-0840L/S Solenoid Valve

ISO/TS16949 ISO9000 ISO14000
RoHS REACH CE UL VDE TÜV



总重量 Total Weight: 85g
应用范围: 按摩椅、气垫床
APPLICATION: MASSAGER CHAIR

类型: 二位三通/二位二通 TYPE: two position Three way
TYPE: Two position two way



单位:mm Units:mm



综合特性 GENERAL FEATURES

- 常用压力: 0~500mmHg/0~0.67Bar
Pressure: 0~500mmHg/0~0.67Bar
- 最小通径: $\phi 3.6\text{mm}$
Min Orifice: $\phi 3.6\text{mm}$
- 流体介质: 空气;
Fluid medium: Air
- 寿命: 典型值为100万次 (on 1s, off 1s)
Lify cycle: 1,000,000 cycles (on 1s, off 1s)
- 绝缘等级: B类
Insulation class: class B

COIL DATA线圈资料

$$\text{工作周期}(\%) = \frac{\text{工作时间}}{\text{工作时间} + \text{断开时间}} \times 100\%$$

$$\text{Duty cycle}(\%) = \frac{\text{"ON" time}}{\text{"ON" time} + \text{"OFF" time}} \times 100\%$$

最大工作时间(秒) MAX. "on" time in seconds

瓦特(W) (20℃) Watts at 20℃

安匝数AT (20℃) Ampere-turns at 20℃

	连续 Continuous 100%	间断 Or less 50%	间断 Or less 25%	间断 Or less 10%
最大工作时间(秒) MAX. "on" time in seconds	∞	100	36	7
瓦特(W) (20℃) Watts at 20℃	4	8	16	40
安匝数AT (20℃) Ampere-turns at 20℃	600	850	1200	1900

型号 Type no.	阻值(20℃) Resistance (Ω) $\pm 10\%$	线圈匝数 No. Turns	电压(VDC) Voltage DC			
ZHV-0840L-XX A XX	9	980	6	8.5	12	19
No symbol L S	36	1700	12	17	24	38
三通 Three Way 常闭 NC 常开 NO	144	3600	24	34	48	76
电压 Voltage (V)	576	7300	48	68	96	152
系列号 Serial No.: A, B, C...						
电阻 Resistance (Ω)						