

ZHP-0830 Solenoid Pump

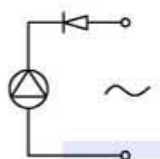
ISO/TS16949 ISO9000 ISO14000
RoHS REACH CE UL VDE TÜV



总重量 Total Weight: 80g
应用范围: 用于蒸汽熨斗和清洁机等
APPLICATION: Mainly Applied In Steam Iron And Cleaner etc

综合特性 GENERAL FEATURES

电气连接 (交流) 通过一个二极管 ($\geq 1A$) 此连接必须按照图示
ELECTRICAL CONNECTION (AC) through a diode ($\geq 1A$), the connection has to be made as shown on diagram



(直流) 需要使用一个方波脉冲转换器 (DC) requires the use of a square waves impulse converter

空载时间 ≤ 3 分钟
NONLOADED TIME ≤ 3 minute

寿命 连续工作800小时
WORKLIFE above 800 work hours

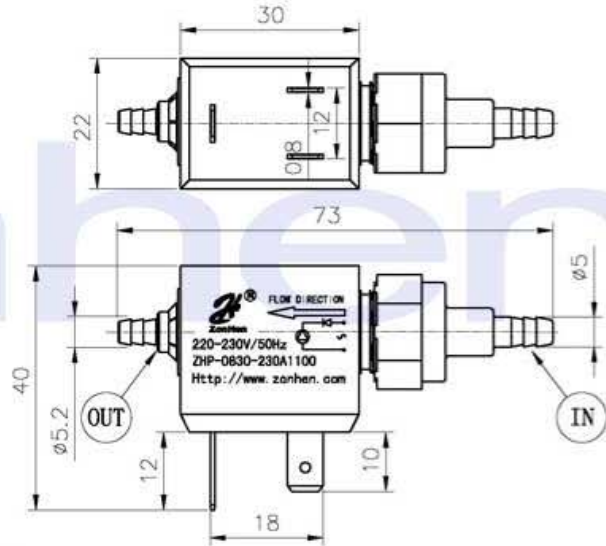
活塞和弹簧 高耐腐蚀不锈钢
PISTON AND SPRING stainless steel high corrosion resistance

流体 水和无腐蚀性介质
FLUIDS water and non corrosive media

抽吸距离 泵体与液面高度差按
50 \pm 10cm, 进水侧胶管长为
80 \pm 10cm, 抽吸出水时间
 ≤ 10 Sec

SUCTION PREVALENCE Height (Pump) - Height (Liquid level) 50 \pm 10cm, the length of inlet host is 80 \pm 10cm, the time of pump water ≤ 10 Sec

类型: 水泵 TYPE: Water Pump



单位:mm Units:mm

PRODUCT DATA 产品资料

Product type	Duty Cycle (%)	Nominal voltage (VAC)	Coil Resistance (Ω)	Power Consumption (W)	0Bar Flow Rate (cc/min)	Max Pressure (Bar)	Insulation class	Max noise (dB(A))
产品型号	工作周期	额定电压	电阻 (Ω)	功率 (w)	0Bar流量 (cc/min)	极限压力 (bar)	绝缘等级	噪声 (dB(A))
ZHP-0830-230A1100	100	230	1100	14	250	1.2	class:II (180)	55
ZHP-0830-230B1100	100	230	1100	14	180	3.2	class:II (180)	55

Flow curve 流量曲线

